

# X SERIES PANORAMIC CAMERA



180° FIELD OF VIEW



Onvif®  
GST

NDA  
Compliant

Discover the XB7FPAN20IP8MP-AI camera, a comprehensive and advanced surveillance solution. With its 8-megapixel resolution and 180-degree field of view, it captures detailed images in an immersive manner. Equipped with artificial intelligence, it intelligently detects potential dangers for your security. Moreover, it features a speaker, a microphone for two-way communication, and a deterrent siren, providing total protection. Do not compromise the security of your home or business. Choose the XB7FPAN20IP8MP-AI and benefit from reliable and advanced surveillance.



## XB7FPAN20IP8MP-AI



8MP RESOLUTION



2.0MM LENS



UP TO 25M



TWO-WAY  
COMMUNICATION



180° PANORAMIC



SEE IN COLOR AT NIGHT



WATERPROOF  
& DUST-TIGHT



DETERRENCE LIGHTS  
AND SIREN



MICRO SD CARD  
SLOT UP TO 256 GB

## VIDEO

IMAGING DEVICE	1/2.8"
EFFECTIVE PIXELS	8MP 3840(H)*2160(V)
SCANNING SYSTEM	Progressive CMOS
MIN. ILLUMINATION	Color 0.007lux @ F1.0(AGC ON) ; B/W 0 lux @ IR ON

## LENS

FOCAL LENGTH (ZOOM RATIO)	2.0 mm
MAX. APERTURE RATIO	F No. 2.4
ANGULAR FIELD OF VIEW	Horizontal: 180°, Vertical: 91°, Diagonal: 180°
MIN. OBJECT DISTANCE	0.6 m
LENS TYPE	M12

## OPERATIONAL

IR LED	2
WARMLIGHT	2
IR VIEWABLE LENGTH	Up to 25m
WARMLIGHT VIEWABLE LENGTH	Up to 15m
BACKLIGHT COMPENSATION	Off/On (5 Zones)
MOTION DETECTION	Off/On (8 Level)
WIDE DYNAMIC RANGE	WDR
DIGITAL NOISE REDUCTION	3D DNR
IMAGE SETTING	Day&Night Mode/Full Color Mode/Schedule
PRIVACY MASKING	Off/On (4 Zones, Rectangle)
GAIN CONTROL	Auto
WHITE BALANCE	Auto/Manual
ELECTRONIC SHUTTER SPEED	1/5 ~ 1/20000s
ON-BOARD STORAGE	Micro SD slot, up to 256GB
ALARM	1 input, 1 output
AUDIO	Built-in microphone & Speaker: 1 input (RCA), 1 output (RCA)
HARDWARE RESET	Yes
SMART FEATURE	Rare Sound Detection (SD) , Perimeter Intrusion Detection (PID), Face Detection (FD), Stationary Object Detection (SOD), Crowd Density Detection (CD), Human&Vehicle Detection (PD&VD), Line Crossing Detection (LCD), Queue Length Detection (QD), Heat Map (HM), Cross Counting (CC), License Plate Detection (LPD)

## NETWORK

ETHERNET	RJ45(10/100BASE-T)
VIDEO COMPRESSION FORMAT	H.265/H.264
RESOLUTION	<p><b>Mainstream @30fps</b> 8MP(3840x2160), 5MP(2592x1944,3072x1728) 4MP(2592x1520), 3MP(2304x1296), 1080P(1920x1080) 960P(1280*960), 720P(1280x720)</p> <p><b>Substream @30fps</b> 720P(1280x720),VGA(640x480)</p> <p><b>Mobile Stream @30fps</b> VGA(640x480)</p>
VIDEO QUALITY ADJUSTMENT	256Kbps ~ 16Mbps
BITRATE CONTROL METHOD	CBR/VBR
STREAMING CAPABILITY	Triple-Stream(Main/Sub/Mobile)
IP	IPv4/IPv6
PROTOCOL	TCP/IP,HTTP,DHCP,DNS,DDNS,RTP/RTSP,SMTP,NTP,UPnP,SNMP,HTTPS,FTP
SECURITY	IP address filter:complicated password: Authenticated username and password
STREAMING METHOD	Unicast/Multicast
APPLICATION PROGRAMMING INTERFACE	ONVIF( Profile S/G/T)
COMPATIBLE WEB BROWSERS	IE10/11, Safari V12.1 above, Firefox V.52 above Google chrome V.57 above, Edge V.79 above

## GENERAL

OPERATING CONDITIONS	-35 ~ +60°C/less than ≤ 95% RH
INGRESS PROTECTION	IP67
INPUT VOLTAGE / CURRENT	D12V/POE(IEEE802.3af)
POWER CONSUMPTION	Max 12W
COLOR/MATERIAL	White/Metal
DIMENSION (WXHXD)	151.3*74.1*74.1mm
WEIGHT	388g

# 180 DEGREES IN ACTION

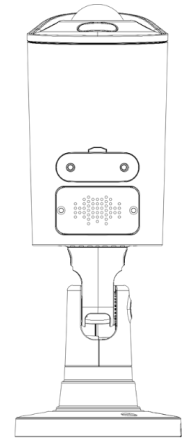
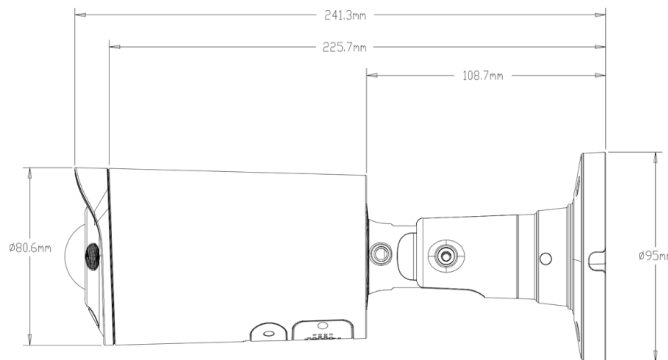
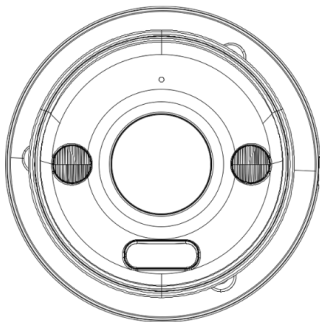


**XB7FPAN28IP8MP-AI 180° PANORAMIC VIEW**



**ANOTHER GSD CAMERA WITH A 2.8MM LENS**

## DIMENSIONS



## ACCESSORIES



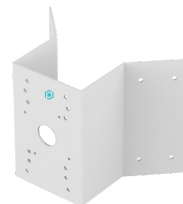
**CMB6-EXT-120**  
EXTENDABLE CEILING MOUNT BRACKET



**TEBBASE1**  
JUNCTION BOX



**TEBBASE1-G**  
PENDANT



**COMB6**  
CORNER MOUNT BRACKET



**PMB6**  
POLE MOUNT BRACKET

2024 Global Surveillance Distribution, G.S.D Group and G.S.D are registered trademarks of Global Surveillance Distribution Group, Inc. in Canada and / or other countries. We reserve the right to change the design and specifications of the product Without notice and without incurring any obligation.