

# X SERIES NETWORK CAMERA



Discover the XB8ZTV2812IP8MP-AI, a premium security camera offering an 8 MP resolution, an impressive 50-meter infrared range, and a motorized 2.8-12 mm lens for flexible focus and zoom adjustments. This camera excels in low-light conditions, displaying exceptional sensitivity with a noted low-light capability of 0.007 lux. Going beyond standard features, it includes red and blue deterrent lights, alarm input/output, audio input/output, a built-in microphone, along with 4 infrared LEDs and 4 warm lights to enhance surveillance capabilities in the dark. With its advanced features, this security camera serves as a powerful solution to meet all your security needs.



## XB8ZTV2812IP8MP-AI



8MP RESOLUTION



2.8-12MM  
MOTORIZED LENS



IR UP TO 50M



DETERRENCE LIGHTS  
AND SIREN



TWO-WAY  
COMMUNICATION



SEE COLOR AT NIGHT



DUSTPROOF &  
WATER-RESISTANT



ALARM/AUDIO  
IN/OUT



MICRO SD CARD  
SLOT UP TO 256 GB



VIDEO	
IMAGING DEVICE	1/2.8"
EFFECTIVE PIXELS	8MP 3840(H)*2160(V)
SCANNING SYSTEM	Progressive CMOS
MIN. ILLUMINATION	Color 0.007lux @ F1.0(AGC ON) ; B/W 0 lux @ IR ON

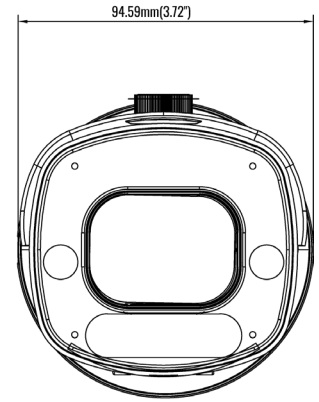
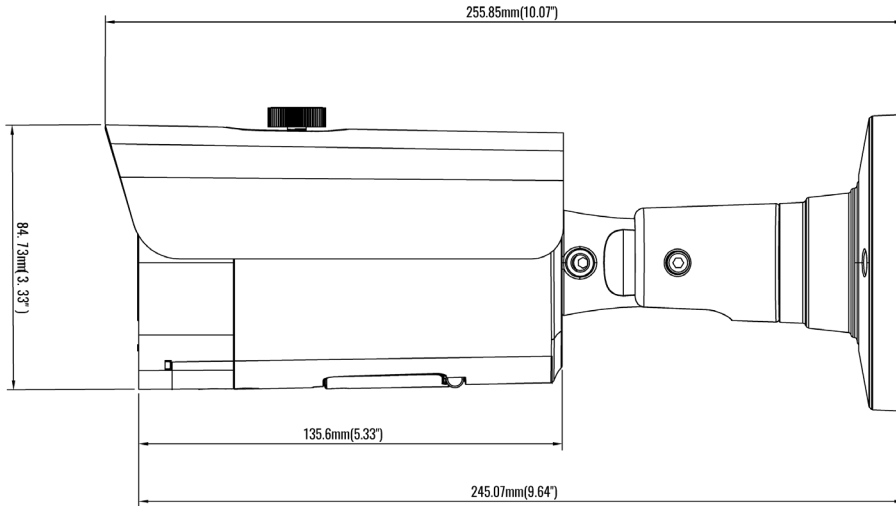
LENS	
FOCAL LENGTH (ZOOM RATIO)	2.8-12mm
MAX. APERTURE RATIO	F No. 1.2
ANGULAR FIELD OF VIEW	H:107(W)-34(T)° V:56(W)-19(T)° D:129(W)-39(T)°
MIN. OBJECT DISTANCE	1.5m
LENS TYPE	Motorized Ø16.7

OPERATIONAL	
IR LED	4
WARMLIGHT	4
RED BLUE LIGHT	2 (1Red & 1 Blue)
IR VIEWABLE LENGTH	Up to 50m
WARMLIGHT VIEWABLE LENGTH	Up to 30m
TYPE OF COMPLEMENTARY LIGHT	Default warm light, switchable infrared light
MOTION DETECTION	Off/On (8 Level)
WIDE DYNAMIC RANGE	WDR
DIGITAL NOISE REDUCTION	3D DNR
IMAGE SETTING	Day&Night Mode/Full Color Mode/Schedule
WHITE BALANCE	Auto/Manual
ELECTRONIC SHUTTER SPEED	1/5 ~ 1/20000s
ON-BOARD STORAGE	Micro SD slot, up to 256GB
ALARM	1 input, 1 output
AUDIO	Built-in microphone & Speaker; 1 input (RCA), 1 output (RCA)
CUSTOM VOICE	Yes
HARDWARE RESET	Yes
SMART FEATURE	Rare Sound Detection (SD) , Perimeter Intrusion Detection (PID), Face Detection (FD), Stationary Object Detection (SOD), Crowd Density Detection (CD), Human&Vehicle Detection (PD&VD), Line Crossing Detection (LCD), Queue Length Detection (QD), Heat Map (HM), Cross Counting (CC), License Plate Detection (LPD)

NETWORK	
ETHERNET	RJ45(10/100BASE-T)
VIDEO COMPRESSION FORMAT	H.265/H.264
RESOLUTION	Mainstream @30fps 8MP(3840x2160), 5MP(2592x1944,3072x1728), 4MP(2592x1520), 3MP(2304x1296), 1080P(1920x1080), 960P(1280*960), 720P(1280x720), Substream @30fps 720P(1280x720),VGA(640x480),QVGA(320x240) Mobile Stream @30fps VGA(640x480), QVGA(320x240)
VIDEO QUALITY ADJUSTMENT	256Kbps ~ 16Mbps
BITRATE CONTROL METHOD	CBR/VBR
IP	IPv6
PROTOCOL	TCP/IP,HTTP,DHCP,DNS,DDNS,RTP/RTSP,SMTP,NTP,UPnP,SNMP,HTTPS,FTP
SECURITY	IP address filter:complicated password:Authenticated username and password
APPLICATION PROGRAMMING INTERFACE	ONVIF( Profile S/G/T)
COMPATIBLE WEB BROWSERS	IE10/11, Safari V12.1 above, Firefox V.52 above Google chrome V.57 above, Edge V.79 above

GENERAL	
OPERATING CONDITIONS	-35 ~ +60°C/less than ≤ 95% RH
INGRESS PROTECTION	IP66
INPUT VOLTAGE / CURRENT	D12V/POE(IEEE802.3af)
POWER CONSUMPTION	DC12V: max 8.9W; POE(48V): max 10.7W
COLOR/MATERIAL	White/Metal
DIMENSION (WXHXD)	255.85*94*59mm
WEIGHT	Appr. 800g

## DIMENSIONS



## ACCESSORIES



**EB3BASE4**  
JUNCTION BOX



**EB3BASE4-G**  
PENDANT



**CMB6-G**  
CEILING MOUNT BRACKET



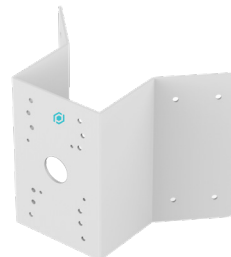
**WMB6**  
WALLMOUNT BRACKET



**CMB6-EXT-120**  
EXTENDABLE CEILING MOUNT BRACKET



**PMB6**  
POLE MOUNT BRACKET



**COMB6**  
CORNER MOUNT BRACKET



**EXT-4POE**  
4 PORTS POE EXTENDER

2024 Global Surveillance Distribution, G.S.D Group and G.S.D are registered trademarks of Global Surveillance Distribution Group, Inc. in Canada and / or other countries. We reserve the right to change the design and specifications of the product Without notice and without incurring any obligation.