

X SERIES NETWORK CAMERA



Our XEBATVIP5MP28-AI-L-64G camera provides vision in complete darkness thanks to its advanced night vision capabilities. Thus, even in conditions of total darkness, you can still capture color images and ensure comprehensive surveillance of your property. It is equipped with powerful deterrent features such as blue and red lights as well as a siren, which can be remotely activated to deter intruders and prevent criminal acts. Moreover, with its built-in microphone and speaker, you can record your own alarms or voice messages, adding an additional level of security to your premises. Furthermore, with the included 64GB SD card, you can store hours of footage without worrying about running out of space.



This camera model is also available in black - XEBATVIP5MP28-AI-L-B-64G.

XEBATVIP5MP28-AI-L-64G



5MP RESOLUTION



2.8MM LENS



IR UP TO 25M



DETERRENCE LIGHTS
AND SIREN



TRUE WDR



SEE IN COLOR AT NIGHT



WATERPROOF
& DUST-TIGHT



TWO-WAY
COMMUNICATION



64GB MICRO
SD CARD INCLUDED

VIDEO	
IMAGING DEVICE	1/2.7"
EFFECTIVE PIXELS	5MP 2880 (H) x 1620 (V)
SCANNING SYSTEM	Progressive CMOS
MIN. ILLUMINATION	Color 0.002lux @ F1.0(AGC ON) ; B/W 0 lux @ IR ON

LENS	
FOCAL LENGTH (ZOOM RATIO)	2.8 mm
MAX. APERTURE RATIO	F No. 1.0
ANGULAR FIELD OF VIEW	Horizontal : 110°, Vertical : 58°, Diagonal : 132°
MIN. OBJECT DISTANCE	2m
LENS TYPE	Fixed (M12)

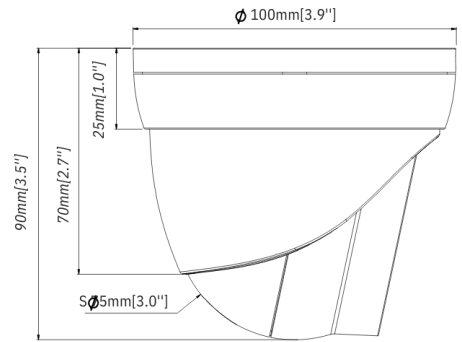
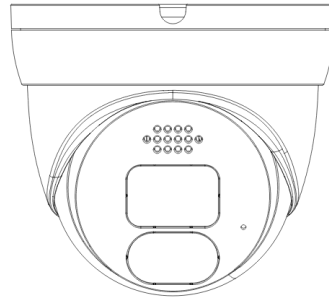
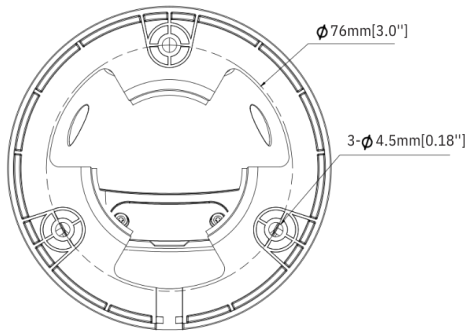
OPERATIONAL	
IR LED	1
WARMLIGHT	2
RED AND BLUE LIGHT	2 (1 Red & 1 Blue)
IR VIEWABLE LENGTH	Up to 25 m
WARMLIGHT VIEWABLE LENGTH	Up to 20 m
TYPE OF COMPLEMENTARY LIGHT	Default warm light, switchable infrared light
WIDE DYNAMIC RANGE	WDR
DIGITAL NOISE REDUCTION	3D DNR
MOTION DETECTION	Off/On (8 Level)
IMAGE SETTING	Day&Night Mode/Full Color Mode/Schedule
WHITE BALANCE	Auto/Manual
ELECTRONIC SHUTTER SPEED	1/5 ~ 1/20000s
ON-BOARD STORAGE	Micro SD slot, up to 256 GB
ALARM	N/A
AUDIO	Built-in microphone & Speaker
CUSTOM VOICE	YES
HARDWARE RESET	YES

SMART FEATURES	
	Rare Sound Detection (SD) , Perimeter Intrusion Detection (PID), Face Detection (FD), Stationary Object Detection (SOD), Crowd Density Detection (CD), Human&Vehicle Detection (PD&VD), Line Crossing Detection (LCD), Queue Length Detection (QD), Heat Map (HM), Cross Counting (CC), License Plate Detection (LPD)

NETWORK	
ETHERNET	RJ45(10/100BASE-T)
VIDEO COMPRESSION FORMAT	H.265/H.264
RESOLUTION	<p>Mainstream @30fps 5MP(2880x1620), 4MP(2560x1440) 3MP(2304x1296), 1080P(1920x1080), 720P(1280x720)</p> <p>Substream @30fps 720P(1280x720), VGA(640x480), QVGA(320x240)</p> <p>Mobile Stream @30fps VGA (640x480), QVGA (320x240)</p>
VIDEO QUALITY ADJUSTMENT	256Kbps ~ 8Mbps
BITRATE CONTROL METHOD	CBR/VBR
IP	IPv6
PROTOCOL	TCP/IP,HTTP,DHCP,DNS,DDNS,RTP/RTSP,SMTP,NTP,UPnP,SNMP,HTTPS,FTP
SECURITY	IP address filter:complicated password: Authenticated username and password
APPLICATION PROGRAMMING INTERFACE	ONVIF (Profil S/G/T)
COMPATIBLE WEB BROWSERS	IE10/11, Safari V12.1/above, Firefox V.52/above, Google chrome V.57/above, Edge V.79/above

GENERAL	
OPERATING CONDITIONS	-35°+60°C/ Less than ≤ 95% RH
INGRESS PROTECTION	IP67
INPUT VOLTAGE / CURRENT	D12V/POE (IEEE802.3af)
POWER CONSUMPTION	DC12V: max 5.8W; POE (48V): max 7.1W
COLOR/MATERIAL	White/Metal
DIMENSION (LXHP)	100*100*90mm
WEIGHT	425g

DIMENSIONS



ACCESSORIES



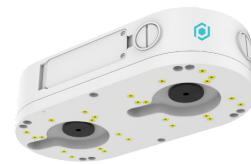
EB3BASE4
JUNCTION BOX



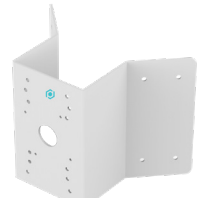
EB3BASE4-G
PENDANT



WMB6
WALLMOUNT BRACKET



DBASEC
DOUBLE JUNCTION BOX



COMB6
CORNER MOUNT BRACKET

OR

OR

+

OR



TEBBASE1
JUNCTION BOX



TEBBASE1-G
PENDANT



CMB6-G
CEILING MOUNT BRACKET



CMB6-EXT-120
EXTENDABLE CEILING MOUNT BRACKET



PMB6
POLE MOUNT BRACKET