

X SERIES PANORAMIC



Introducing the X SERIES security camera, the XT2FPAN20IP8MP-AI, your ultimate surveillance solution for unrivaled protection. With its IP camera technology, enjoy crystal-clear monitoring with an impressive 8MP resolution and a 2.0mm lens for precise detail capture. Its 180° panoramic view ensures comprehensive coverage, while its IR capability extends up to 25 meters for enhanced night vision. Equipped with a microphone and speaker, this camera facilitates two-way communication for seamless interaction. Plus, with deterrence lights and the ability to see in color at night, you can deter intruders effectively. Its IP67 waterproof rating ensures durability in any weather condition. Invest in the X SERIES security camera today for unparalleled peace of mind.



XT2FPAN20IP8MP-AI



8MP RESOLUTION



2.0MM LENS



IR UP TO 25M



180° PANORAMIC VIEW



DETERRENCE LIGHTS



SEE IN COLOR AT NIGHT



MICROPHONE & SPEAKER



WATERPROOF & DUST-TIGHT



MICRO SD CARD SLOT UP TO 256GB



VIDEO

IMAGING DEVICE	1/2.8"
EFFECTIVE PIXELS	8MP 3840(H) × 2160(V)
SCANNING SYSTEM	Progressive CMOS
MIN. ILLUMINATION	Color 0.007lux @ F1.0(AGC ON) ; B/W 0 lux @ IR ON

LENS

FOCAL LENGTH (ZOOM RATIO)	2.0 mm
MAX. APERTURE RATIO	F No. 2.4
ANGULAR FIELD OF VIEW	Horizontal: 180°; Vertical: 91°; Diagonal: 180°
MIN. OBJECT DISTANCE	0.6m
LENS TYPE	M12

OPERATIONAL

IR LED	2
WARMLIGHT	2
IR VIEWABLE LENGTH	Up to 25m
WARMLIGHT VIEWABLE LENGTH	Up to 15m
BACKLIGHT COMPENSATION	Off/On (5 Zone)
WIDE DYNAMIC RANGE	120dB
DIGITAL NOISE REDUCTION	3D DNR
MOTION DETECTION	Off/On (8 Level)
IMAGE SETTINGS	Day&Night Mode/Full Color Mode/Schedule
PRIVACY MASKING	Off/On (4 Zone, Rectangle)
GAIN CONTROL	Auto
WHITE BALANCE	Auto/Manual
ELECTRONIC SHUTTER SPEED	1/5 - 1/20000s
ON-BOARD STORAGE	Micro SD slot, up to 256GB
ALARM	Built-in red & blue deterrence lights
AUDIO	Built-in microphone, speaker
HARDWARE RESET	Yes
AI FEATURES	PID,LCD,PD/VD,SOD,CC,Heat MAP,RSD

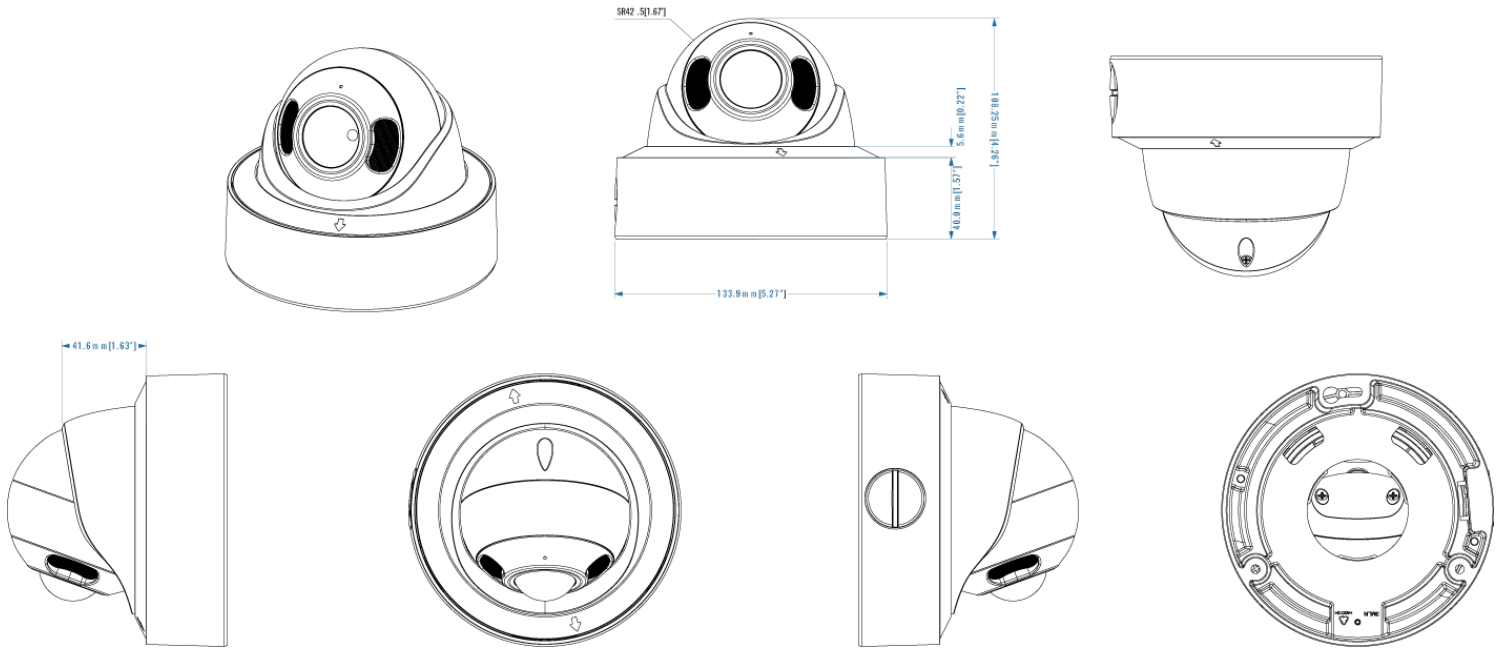
NETWORK

ETHERNET	RJ45(10/100BASE-T)
VIDEO COMPRESSION FORMAT	H.265/H.264
RESOLUTION	<p>Main Stream 50/60Hz @ 20fps,8MP(3840x2160),5MP(2592x1944,3072x1728), 4MP(2592x1520),3MP(2304x1296),1080P(1920x1080), 960P(1280*960),720P(1280x720),</p> <p>Sub Stream 50/60Hz @ 20fps,720P(1280x720),VGA(640x480)</p> <p>Mobile Stream 50/60Hz @ 20fps,VGA(640x480)</p>
VIDEO QUALITY AJUSTMENT	256Kbps - 16Mbps
BITRATE CONTROL METHOD	CBR/VBR
STREAMING CAPABILITY	Triple-Stream(Main/Sub/Mobile)
IP	IPv4/IPv6
PROTOCOL	TCP/IP,HTTP,DHCP,DNS,DDNS,RTP/RTSP, SMTP,NTP,UPnP,SNMP,HTTPS,FTP
SECURITY	IP address filter;complicated password; Authenticated username and password
STREAMING METHOD	Unicast/Multicast
APPLICATION PROGRAMMING INTERFACE	ONVIF(Profile S/G/T)
WEB VIEWER	IE10/11, Safari V12.1 above, Firefox V.52 above, Google chrome V.57 above, Edge V.79 above

GENERAL

OPERATING CONDITIONS	-35~+60°C/less than ≤ 95% RH
INGRESS PROTECTION	IP67
INPUT VOLTAGE / CURRENT	D12V/PoE(IEEE802.3af)
POWER CONSUMPTION	Max. 13.1W
MATERIAL	Metal
DIMENSIONS	133.9mm x 108.25mm (5.27"x4.26")
WEIGHT	Approx. 705g (1.55 lb.)

DIMENSIONS



ACCESSORIES



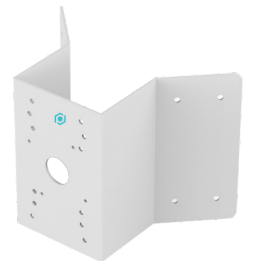
WMB5
WALLMOUNT BRACKET



CMB6-EXT-150
EXTENDABLE CEILING MOUNT BRACKET



PMB6
POLE MOUNT BRACKET



COMB6
CORNER MOUNT BRACKET