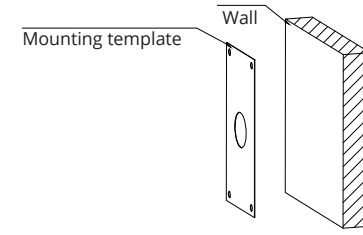




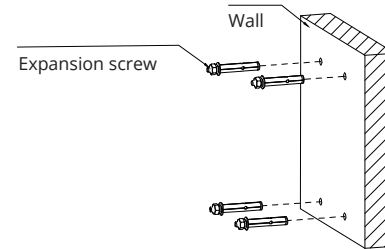
PTZ CAMERA

Quick Installation Guide

1. Installation

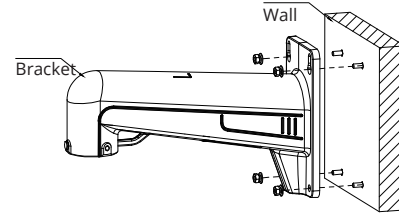


Step 1: Stick the mounting template to the wall, drill 4 expansion screw holes.

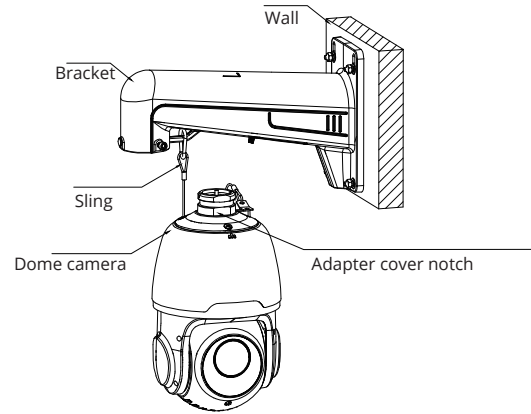


Step 2: Hammer the 4 expansion screws into the drilled wall holes.

01

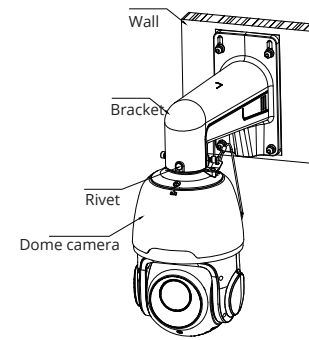


Step 3: Align the 4 expansion screws with the holes of the bracket, install the gasket and the spring washer, then lock the 4 nuts.

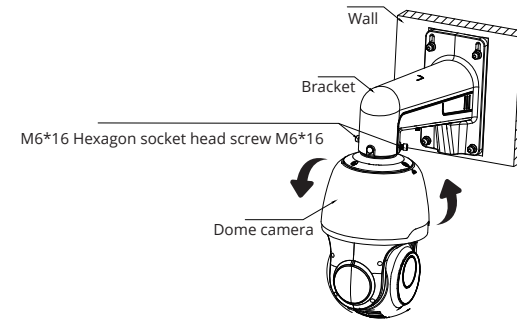


Step 4: Fasten the anti-dropping rope of the locked dome camera into the suspending rope loop of the bracket.

02



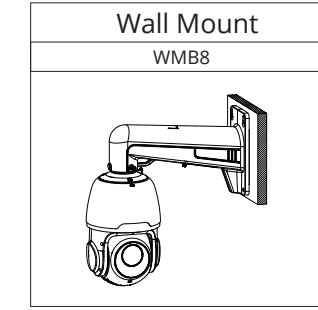
Step 5: After the tail cable of the dome camera passes through the bracket, align the notch of the adapter cover with the rivet position of the bracket and insert it into the bracket hole.



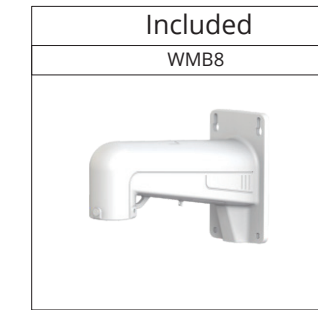
Step 6: After rotating the dome camera to the proper position, tighten the 2 socket head cap screws M6*16 on the bracket.

03

Installation method

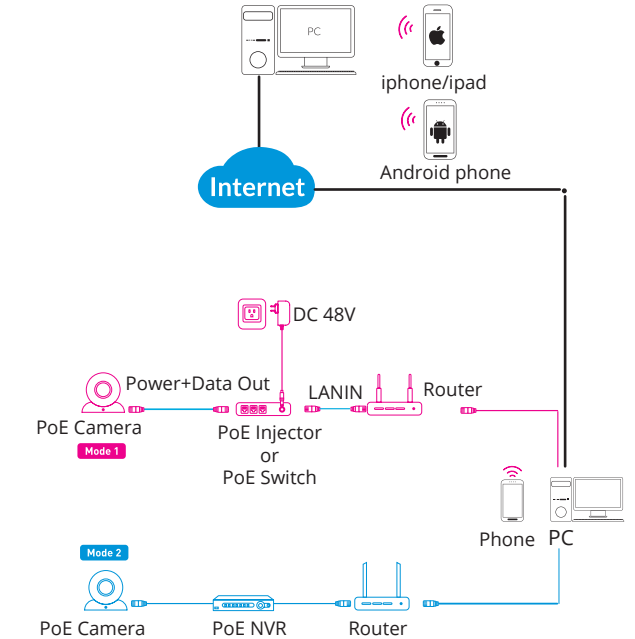


Accessories



04

2. Camera Connection Diagram



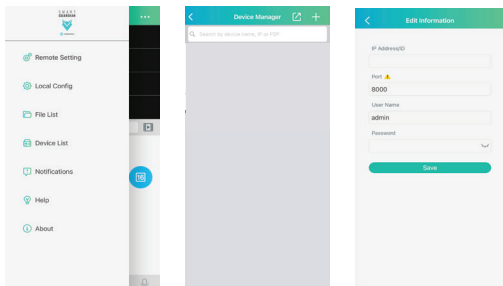
▲ Attention: There are two connection modes:
 1. For non-PoE router, pls connect the camera by a PoE switch or a PoE injector.
 2. For a POE NVR, pls connect the camera directly to the POE NVR, then follow the below steps.

05

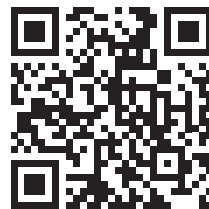
3.Install the APP

There are two methods to install the App.

- Search for "Smart Guardian" in the App store or Google play



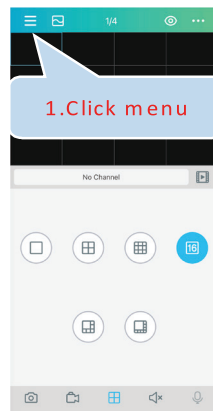
- Scan the QR code below to download the App.



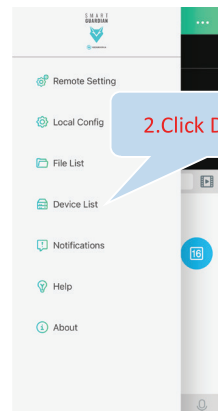
06

4.Camera Settings

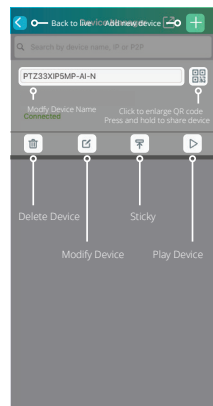
Once you open the "Smart Guardian" app, you will see the following interface to add your device



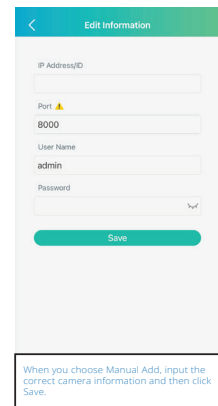
1.Click menu



2.Click Device List

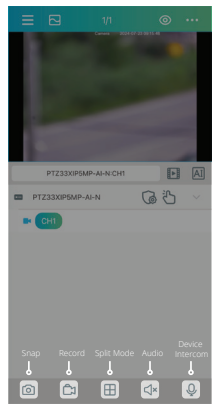
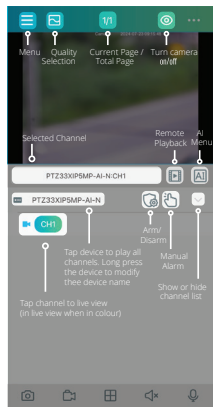


07

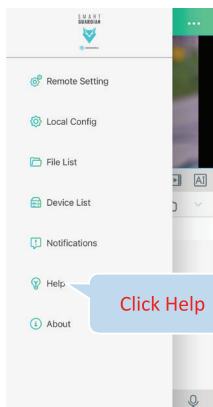


When you choose Manual Add, input the correct camera information and then click Save.

If the device is successfully added, when exiting the device list, you will see the following:

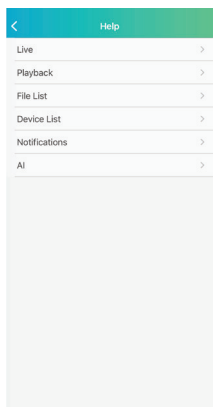


✘ Please refer to the "Help" section for more detailed instruction.



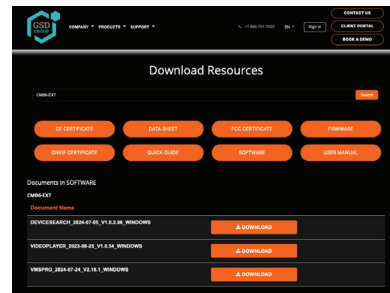
Click Help

08

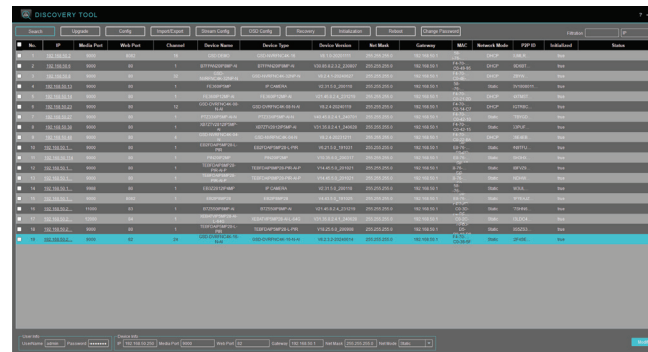


5.In Windows

1. On our website www.gsdgroupinc.com and click "Learning & Support" > "Software" to download "Discovery Tool", it will help to search all the available G.S.D. devices on your local network.

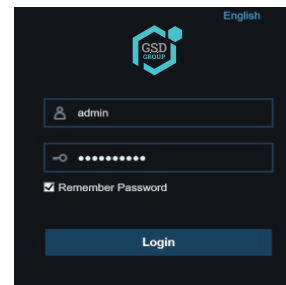


2. In the "Discovery Tool", you can modify the information of a selected device including its IP, Media Port, Web Port, Gateway, Net Mask, etc. (The default username & password is: admin & admin123.)

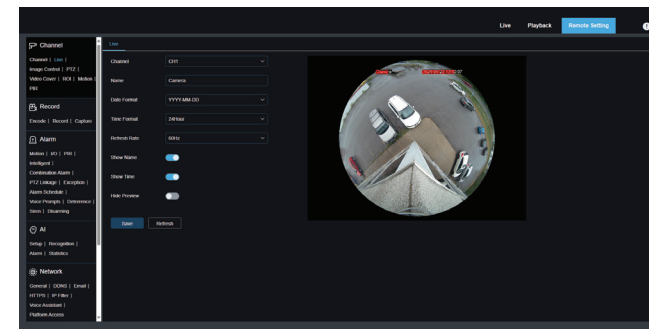


09

3. Open a web browser and input the device's IP address; Input the username & password in the following interface to login the device.



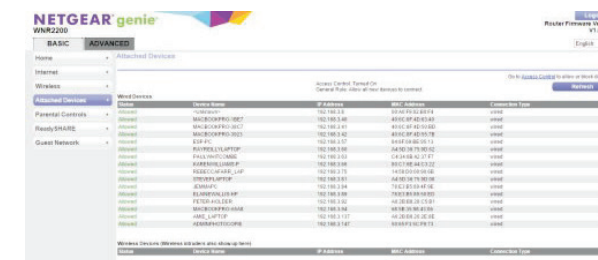
4. After login, click "Remote Setting" to change the settings.



10

5.In Mac OS

1. Open your router web interface and login.
2. Find the "Attached device" or "Connected device" menu. Find the device's IP address according to it's MAC address. The Mac address is labeled on the device.



Picture for reference only

3. Input the device's IP address in Safari, login with your username & password.
4. After login, click "Remote Setting" to modify the setting.

For more information, please visit our YouTube channel:



To download our latest firmware and software, please visit gsdgroupinc.com

11