

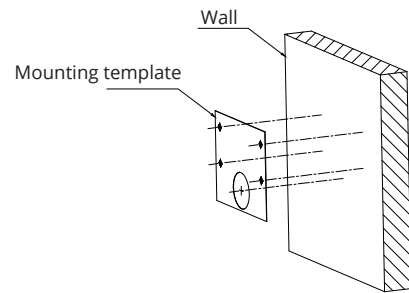


WiFi PTZ CAMERA

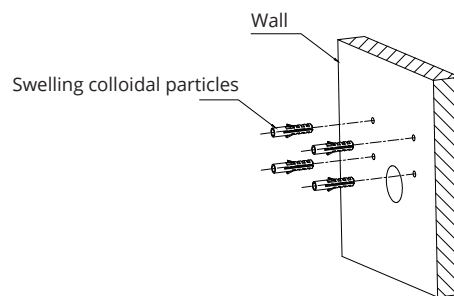
Quick Installation Guide

1. Installation

Wall Mount

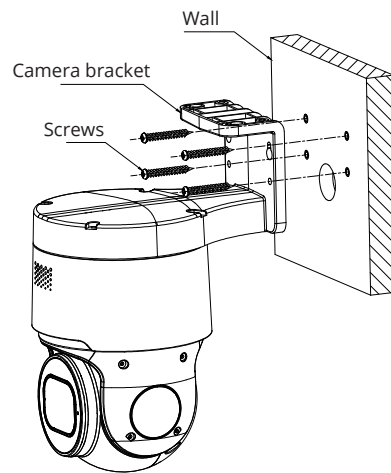


Step 1: Stick the mounting template to the wall, drill 4 screw holes and 1 tail cable hole.



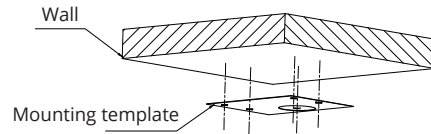
Step 2: Hammer the 4 swelling colloidal particles into the drilled wall holes.

01



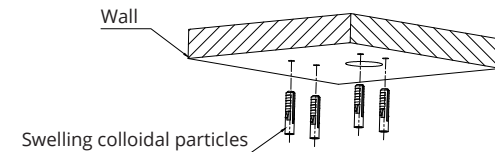
Step 3: Align the camera bracket with the 4 swelling colloidal particles screw holes, and lock the screws to fix it

Ceiling Mount

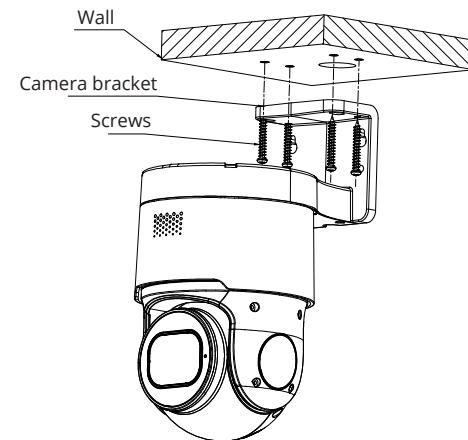


Step 1: Stick the mounting template to the wall, drill 4 screw holes and 1 tail cable hole.

02



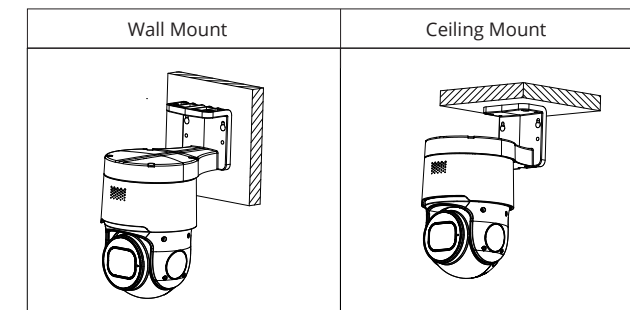
Step 2: Hammer the 4 swelling colloidal particles into the drilled wall holes.



Step 3: Align the camera bracket with the 4 swelling colloidal particles screw holes, and lock the screws to fix it.

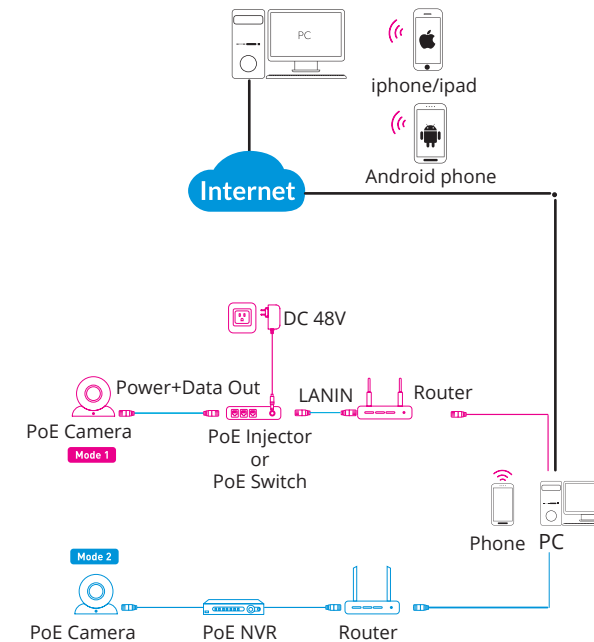
03

Installation method



04

2. Camera Connection Diagram



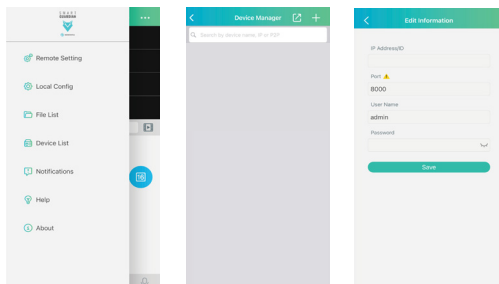
- ▲ Attention: There are two connection modes:
1. For non-PoE router, pls connect the camera by a PoE switch or a PoE injector.
 2. For a POE NVR, pls connect the camera directly to the POE NVR, then follow the below steps.

05

3.Install the APP

There are two methods to install the App.

- Search for "Smart Guardian" in the App store or Google play



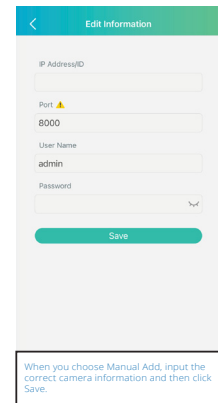
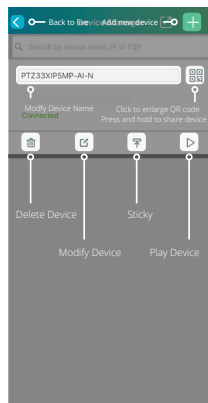
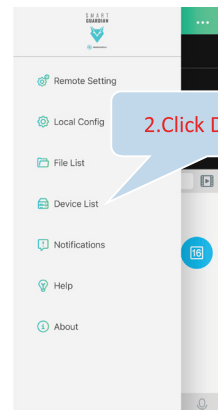
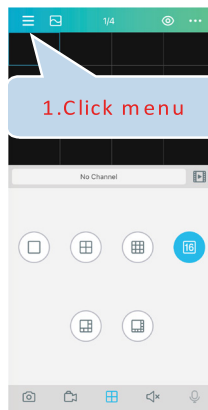
- Scan the QR code below to download the App.



06

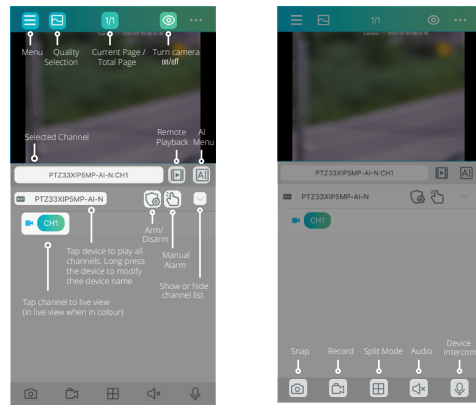
4.Camera Settings

Once you open the "Smart Guardian" app, you will see the following interface to add your device

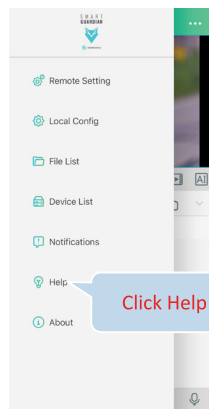


07

If the device is successfully added, when exiting the device list, you will see the following:



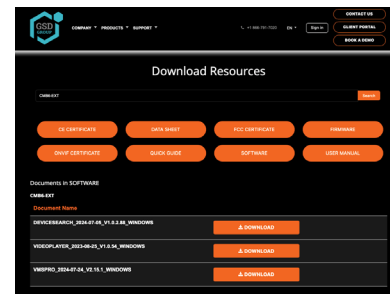
※ Please refer to the "Help" section for more detailed instruction.



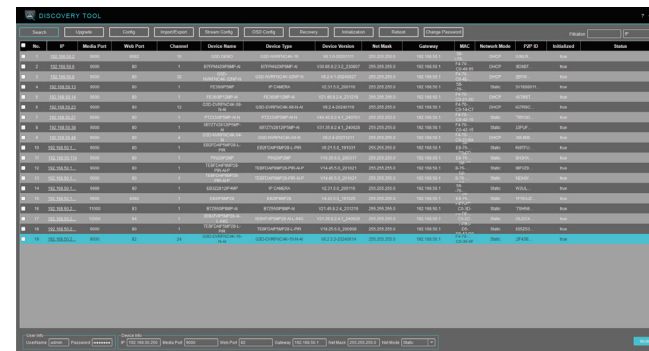
08

5.In Windows

1. On our website www.gsdgroupinc.com and click "Learning & Support" > "Software" to download "Discovery Tool", it will help to search all the available G.S.D. devices on your local network.

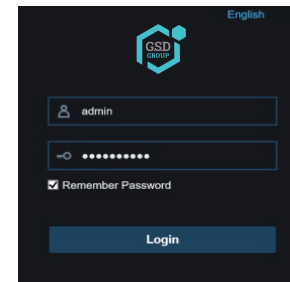


2. In the "Discovery Tool", you can modify the information of a selected device including its IP, Media Port, Web Port, Gateway, Net Mask, etc. (The default username & password is: admin & admin123.)

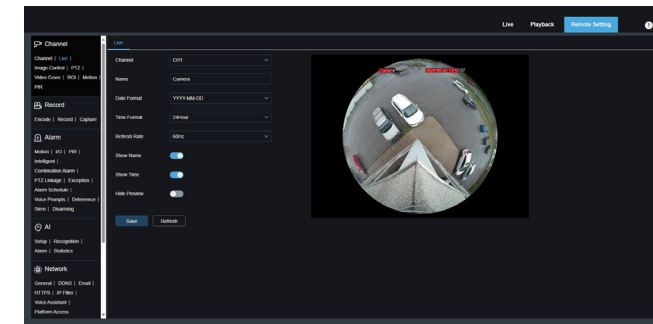


09

3. Open a web browser and input the device's IP address; Input the username & password in the following interface to login the device.



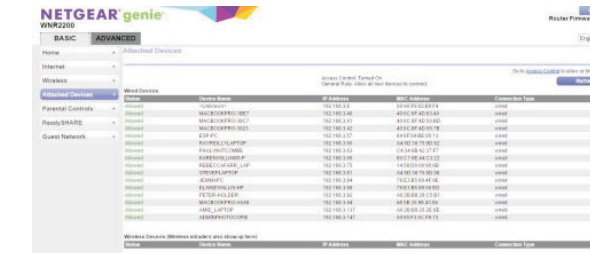
4. After login, click "Remote Setting" to change the settings.



10

5.In Mac OS

1. Open your router web interface and login.
2. Find the "Attached device" or "Connected device" menu. Find the device's IP address according to it's MAC address. The Mac address is labeled on the device.



Picture for reference only

3. Input the device's IP address in Safari, login with your username & password.
4. After login, click "Remote Setting" to modify the setting.

For more information, please visit our YouTube channel:



To download our latest firmware and software, please visit gsdgroupinc.com

11