

DOME CAMERA



The D2FDA36IP12MP-AI Dome Network Security Camera delivers exceptional image quality with its 12MP resolution, ensuring detailed and clear footage. Equipped with a 3.6mm lens, this camera provides a wide field of view suitable for various surveillance needs. It features infrared capabilities that extend up to 30 meters, allowing for reliable night-time monitoring even in complete darkness. The integrated microphone enables audio recording, enhancing the overall surveillance experience. Built to withstand harsh environmental conditions, the camera is both dustproof and water-resistant, making it ideal for outdoor use. Additionally, it includes a microSD card slot that supports up to 256GB, providing ample storage for recorded footage.



D2FDA36IP12MP-AI



12MP RESOLUTION



3.6MM LENS



IR UP TO 30M



BUILT-IN MICROPHONE



WATERPROOF & DUST-TIGHT



MICRO SD CARD SLOT UP TO 256GB



D2FDA36IP12MP-AI



VIDEO

IMAGING DEVICE	1/2.3"
EFFECTIVE PIXELS	12MP 4096(H)*3072(V)
SCANNING SYSTEM	Progressive CMOS
MIN. ILLUMINATION	Color 0.01lux @ F1.6(AGC ON) ; B/W 0 lux @ IR ON

LENS

FOCAL LENGTH (ZOOM RATIO)	3.6 mm
MAX. APERTURE RATIO	F No. 1.6
ANGULAR FIELD OF VIEW	Horizontal: 87°, Vertical: 63°, Diagonal: 115°
MIN. OBJECT DISTANCE	2M
LENS TYPE	Fixed (M12)

OPERATIONAL

IR VIEWABLE LENGTH	Up to 30m
CAMERA TITLE	On/Off
DAY & NIGHT	IR cut filter with auto switch (Day/Night/Auto/Image/Schedule)
BACKLIGHT COMPENSATION	Off/On (5 Zone)
WIDE DYNAMIC RANGE	DWDR
DIGITAL NOISE REDUCTION	3D DNR
MOTION DETECTION	Off/On (8 Level)
PRIVACY MASKING	Off/On (4 Zone, Rectangle)
GAIN CONTROL	Auto
WHITE BALANCE	Auto/Manual
ELECTRONIC SHUTTER SPEED	1/5 - 1/20000s
ON-BOARD STORAGE	Micro SD slot, up to 256GB
ALARM	NA
AUDIO	Built-in microphone
HARDWARE RESET	Yes

AI FEATURES	Face Recognition, Pedestrian & Vehicle , Perimeter Intrusion , Line Crossing , Object Detection, Crossing Counting, Heat Map, Crowd Density , Queue Length , License Plate, Rare Sound, Intrusion, Region Entrance, Region Exiting
-------------	--

NETWORK

ETHERNET	RJ45(10/100BASE-T)
VIDEO COMPRESSION FORMAT	H.265/H.264
RESOLUTION	Main stream: 12MP (4096x3072)@15fps, 8MP (3840x2160)@25fps, 5MP (2592x1944,3072x1728)@25fps, 4MP (2592x1520)@25fps, 3MP (2304x1296)@25fps, 1080P (1920x1080)@25fps Sub stream: 1080P (1920x1080), 720P (1280x720), VGA (640x480), QVGA (320x240) Mobile stream: VGA (640x480), QVGA (320x240)
VIDEO QUALITY ADJUSTMENT	256Kbps ~ 16Mbps
BITRATE CONTROL METHOD	CBR/VBR
STREAMING CAPABILITY	Triple-Stream(Main/Sub/Moile)
PROTOCOL	TCP/IP,HTTP,DHCP,DNS,DDNS,RTP/RTSP,SMTP,NTP,UPnP,SNMP,HTTPS,FTP
SECURITY	IP address filter:complicated password; Authenticated username and password
STREAMING METHOD	Unicast/Multicast
APPLICATION PROGRAMMING INTERFACE	ONVIF(Profile S/G/T/M)

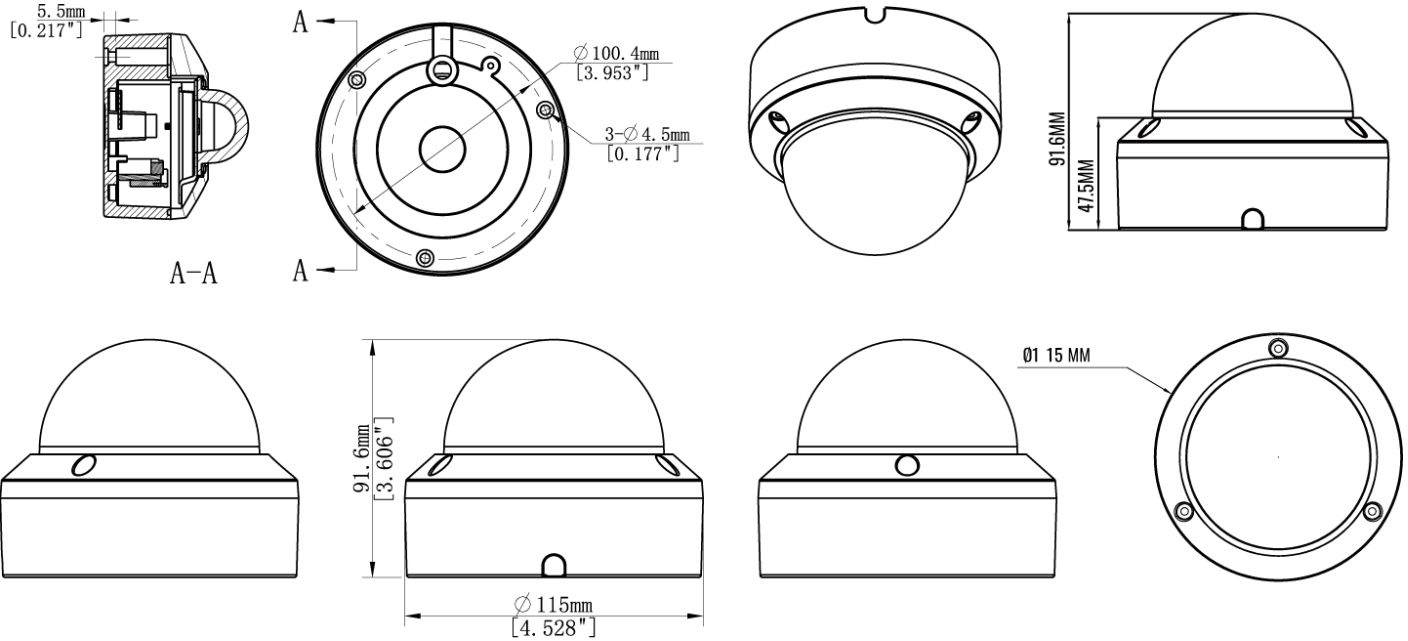
GENERAL

OPERATING CONDITIONS	-35°~+60°C/less than ≤ 90% RH
WATERPROOF	IP67
INPUT VOLTAGE / CURRENT	D12V/POE(IEEE802.3af)
MATERIAL	Metal
DIMENSIONS	115*91.6mm
WEIGHT	appr 556g

PLEASE NOTE THAT 12MP RESOLUTION IS ONLY AVAILABLE ON THE FOLLOWING NVRS: GSD-NVRFNC6K-16-N, GSD-NVRFNC4K-64NP-N AND GSD-NVRFNC4K-256NP



DIMENSIONS



ACCESSORIES



D2BASE1
JUNCTION BOX

OR



WMB2
WALLMOUNT BRACKET



D2BASE1-G
PENDANT

+



WMB6
WALLMOUNT

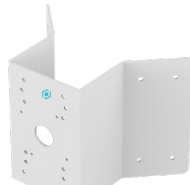
OR



CMB6
CEILING MOUNT BRACKET



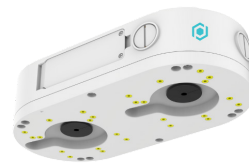
PMB6
POLE MOUNT BRACKET



COMB6
CORNER MOUNT BRACKET



CMB6-EXT-120
EXTENDABLE CEILING MOUNT BRACKET



DBASEC
DOUBLE JUNCTION BOX



DCMB2
RECESSED BRACKET