

PTZ CAMERA



Introducing the PTZ25XIP2MP-AI-N, the epitome of cutting-edge security technology. With its IP camera capabilities, this PTZ security camera delivers crisp 2MP resolution, ensuring crystal-clear footage every time. Equipped with a 5-125mm lens and boasting IR capabilities up to 100 meters, it captures even the minutest details with precision. Plus, its 25x optical zoom ensures unparalleled surveillance range. With features like auto tracking, alarm/audio in/out, and IP66 waterproof rating, this camera is the ultimate choice for robust security systems. Invest in peace of mind with the PTZ25XIP2MP-AI-N today.



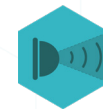
PTZ25XIP2MP-AI-N



2MP RESOLUTION



5-125MM LENS



IR UP TO 100M



25X OPTICAL ZOOM



ALARM/AUDIO
IN/OUT



AUTO-TRACKING



DUSTPROOF & WATER-RESISTANT



MICRO SD CARD SLOT UP TO 256GB



CAMERA

IMAGING SENSOR	1/2.8" Progressive Scan CMOS
MAX. RESOLUTION	1920x1080
MIN. ILLUMINATION	Color: 0.002 Lux @ (F1.6, AGC ON), B/W: 0 Lux with IR
SHUTTER SPEED	1/5 s to 1/20000 s
SLOW SHUTTER	Yes
DAY & NIGHT	IR cut filter
ZOOM	25x optical

LENS

FOCAL LENGTH	5.0 mm to 125 mm
FOV	Horizontal field of view: 56.9° to 2.9° (wide-tele) Vertical field of view: 32.2° to 1.6° (wide-tele) Diagonal field of view: 65.2° to 3.3° (wide-tele)
APERTURE	Max. F1.5
FOCUS	Auto, manual
SUPPLEMENT LIGHT RANGE	IR Distance: up to 100 m
SUPPLEMENT LIGHT TYPE	IR

PTZ

MOVEMENT RANGE(PAN)	360°
MOVEMENT RANGE(TILT)	-10° to 90° (auto flip)
PAN SPEED	Pan speed: configurable from 0.6° to 80°/s; preset speed: 120°/s
TILT SPEED	Tilt speed: configurable from 0.6° to 80°/s, preset speed 100°/s
PRESETS	255
PATROL SCAN	1 Scan
PATTERN SCAN	4 pattern
POWER-OFF MEMORY	Yes
3D POSITIONING	Yes

IMAGE

DAY/NIGHT SWITCH	Day, Night, Auto, Schedule
IMAGE ENHANCEMENT	BLC, HLC, 3D DNR
WIDE DYNAMIC RANGE (WDR)	120 dB
DEFOG & IMAGE STABILIZATION	Digital
IMAGE SETTINGS	Saturation, brightness, contrast, sharpness, Hue and white balance adjustable by client software or web browser
PRIVACY	4 privacy masks

VIDEO

MAIN STREAM	50 Hz: 25 fps (1920 × 1080, 1280 × 960, 1280 × 720); 60 Hz: 30 fps (1920 × 1080, 1280 × 960, 1280 × 720)
SUB-STREAM	50 Hz: 25 fps (640 × 480, 320x240); 60 Hz: 30 fps (640 × 480, 352 × 240)
THIRD STREAM	50 Hz: 25 fps (320x240); 60 Hz: 30 fps (320x240)
VIDEO COMPRESSION	Main stream: H.265+/H.265/H.264+/H.264 Sub-stream: H.265+/H.265/H.264+/H.264/MJPEG Third stream: H.265+/H.265/H.264+/H.264
VIDEO BIT RATE	8 kbps to 8192 kbps
H.264 TYPE	Baseline Profile/Main Profile/High Profile
H.265 TYPE	Main Profile
REGION OF INTEREST (ROI)	NA
AUDIO COMPRESSION	G.711a/G.711u

NETWORK

PROTOCOLS	IPv4/IPv6, HTTP, HTTPS, FTP, SMTP, UPnP, SNMP, DNS, DDNS, NTP, RTSP, TCP/IP, UDP, DHCP, PPPoE,
API	Onvif (Profile S, Profile G, Profile T), Http API
SIMULTANEOUS	Live View Up to 15 channels
USER/HOST	5 User
SECURITY	Password protection, complicated password, HTTPS encryption, IP address filter, control timeout settings
CLIENT	VMS
WEB BROWSER	IE10/11, Safari V12.1 above, Firefox V.52 above, Google chrome V.57 above, Edge V.79 above

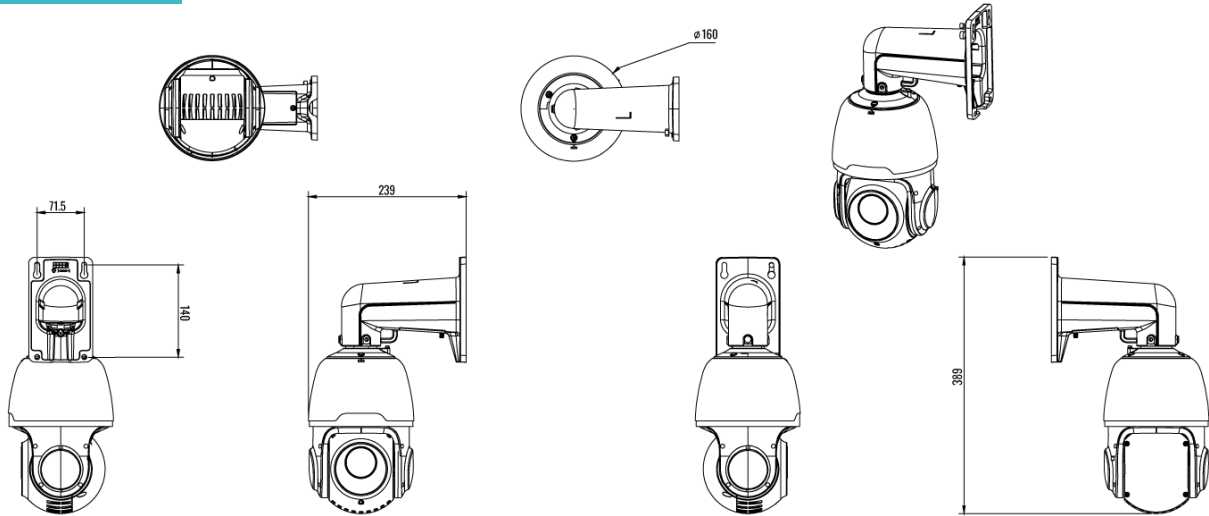
EVENT

BASIC EVENT	Motion detection, alarm input and output
DEEP LEARNING FUNCTION	Face Recognition, Human & Vehicle Detection, Perimeter Intrusion Detection, Line Crossing Detection, Stationary Object Detection, Crossing Counting, Heat Map, Crowd Density Detection, Queue Length Detection, License Plate Detection
SMART TRACKING	auto-tracking
ALARM LINKAGE	Upload to FTP, send email, trigger alarm output, trigger recording

INTERFACE	
ETHERNET INTERFACE	1 RJ45 10M/100M self-adaptive Ethernet port
ON-BOARD STORAGE	Built-in memory card slot, supports micro SD/SDHC/SDXC card, up to 256 GB
ALARM	1 input, 1 output
AUDIO	1 input, 1 output
RESET	Yes
BUILT-IN SPEAKER	NA

GENERAL	
POWER	DC 12V/POE+, max. 22 W
OPERATING CONDITION	-40 °C to 60 °C (-22 °F to 149 °F) Humidity 90% or less (non-condensing)
MATERIAL	Metal
DIMENSION	Ø 160 mm × 270 mm (Ø 6.3" × 10.6")
WEIGHT	Approx. 2.5 kg (5.51lb.)
PROTECTION	IP66

DIMENSIONS



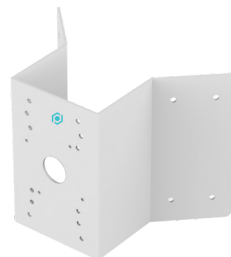
ACCESSORIES



WMB8
WALLMOUNT BRACKET



CMB6-P
CEILING MOUNT BRACKET



COMB6
CORNER MOUNT BRACKET



PMB6
POLE MOUNT BRACKET