

EYEBALL NETWORK CAMERA



The TEBFDAIP8MP28-AI-L surveillance camera offers high-definition resolution thanks to its 8MP sensor, providing sharp and precise videos. Equipped with infrared technology offering night vision up to 20 meters, it ensures effective surveillance at all times. Its 2.8mm lens provides a wide field of view, and its low light sensitivity of 0.009 lux ensures optimal performance even in low light conditions. Available in black or white, this camera incorporates artificial intelligence features for advanced surveillance, including a built-in microphone. It is compatible with Power over Ethernet (PoE) of 5.5W, facilitating its power supply and connection.



This camera model is also available in black - TEBFDAIP8MP28-AI-L-B.

TEBFDAIP8MP28-AI-L



8MP RESOLUTION



2.8MM LENS



IR UP TO 20M



TRUE WDR



BUILT-IN MICROPHONE



WATERPROOF &
DUST-TIGHT



MICRO SD CARD SLOT UP TO 256GB



VIDEO

IMAGING DEVICE	1/2.7"
EFFECTIVE PIXELS	8MP 3840(H)×2160(V)
SCANNING SYSTEM	Progressive CMOS
MIN. ILLUMINATION	Color 0.009lux @ F1.6(AGC ON) ; B/W 0 lux @ IR ON

LENS TYPE

FOCAL LENGTH (ZOOM RATIO)	2.8 mm
MAX. APERTURE RATIO	F No. 1.6
ANGULAR FIELD OF VIEW	Horizontal: 110°, Vertical: 58°, Diagonal: 132°
MIN. OBJECT DISTANCE	1.8m
LENS TYPE	Fixed(M12)

OPERATIONAL

IR VIEWABLE LENGTH	Up to 20m
CAMERA TITLE	Show/Hide
DAY & NIGHT	IR cut filter with auto switch (Day/Night/Auto/Image/Schedule)
BACKLIGHT COMPENSATION	Off/On (5 Zones)
WIDE DYNAMIC RANGE	WDR
DIGITAL NOISE REDUCTION	3D DNR
MOTION DETECTION	Off/On (8 Levels)
PRIVACY MASKING	Off/On (4 Zones, Rectangle)
GAIN CONTROL	Auto
WHITE BALANCE	Auto/Manual
ELECTRONIC SHUTTER SPEED	1/5 ~ 1/20000s
ON-BOARD STORAGE	Micro SD slot, up to 256GB
ALARM	NA
AUDIO	Built-in microphone
HARDWARE RESET	Yes
SMART FEATURES	Rare Sound Detection (SD), Perimeter Intrusion Detection (PID), Face Detection (FD), Stationary Object Detection (SOD), Crowd Density Detection (CD), Human&Vehicle Detection (PD&VD), Line Crossing Detection (LCD), Queue Length Detection (QD), Heat Map (HM), Cross Counting (CC), License Plate Detection (LPD)

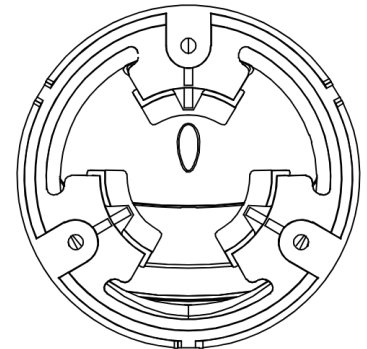
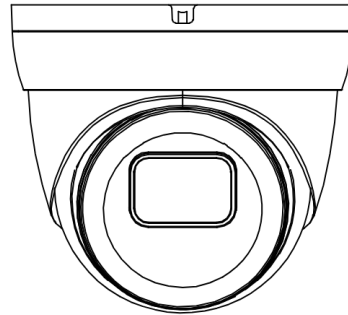
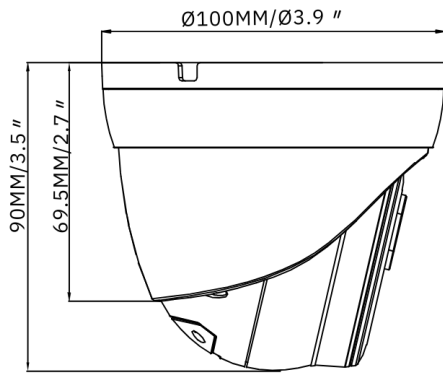
NETWORK

ETHERNET	RJ45(10/100BASE-T)
VIDEO COMPRESSION FORMAT	H.265/H.264
RESOLUTION	Mainstream@30fps 8MP(3840x2160), 5MP(2880x1620), (3072x1728), 4MP(2592x1520), 3MP(2304x1296),1080P(1920x1080) 960P(1280x960), 720P(1280x720) Substream@30fps 720P(1280x720),VGA(640x480),QVGA(320x240) Mobilestream@30fps VGA(640x480), QVGA (320x240)
VIDEO QUALITY ADJUSTMENT	256Kbps ~ 16Mbps
BITRATE CONTROL METHOD	CBR/VBR
STREAMING CAPABILITY	Triple-Stream(Main/Sub/Mobile)
PROTOCOL	TCP/IP,HTTP,DHCP,DNS,DDNS,RTP/RTSP,SMTP,NTP,UPnP,SNMP,HTTPS,FTP
SECURITY	IP address filter;complicated password;Authenticated username and password
STREAMING METHOD	Unicast/Multicast
APPLICATION PROGRAMMING INTERFACE	ONVIF(Profile S/G/T)
COMPATIBLE WEB BROWSERS	IE10/11, Chrome V.57/above, Firefox V.52/above, Safari V.12.1/above, Edge V.79/above

GENERAL

OPERATING CONDITIONS	-35°+60°C/less than ≤ 95% RH
INGRESS PROTECTION	IP67
INPUT VOLTAGE / CURRENT	D12V/POE(IEEE802.3af)
POWER CONSUMPTION (IR OFF)	2W-3W
POWER CONSUMPTION (IR ON)	4W-5.5W
COLOR / MATERIAL	White/Metal
DIMENSION (WXHXD)	Ø100x90mm
WEIGHT	appr. 420g

DIMENSIONS



ACCESSORIES



TEBBASE1
JUNCTION BOX

OR



WMB2
WALLMOUNT BRACKET



TEBBASE1-G
PENDANT

+



WMB6
WALLMOUNT BRACKET

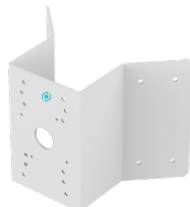
OR



CMB6
CEILING MOUNT BRACKET



PMB6
POLE MOUNT BRACKET



COMB6
CORNER MOUNT BRACKET



CMB6-EXT-120
EXTENDABLE CEILING MOUNT BRACKET



EXT-4POE
4 PORTS POE EXTENDER



IPCOAX-300M
IP OVER COAX EXTENDER

2024 Global Surveillance Distribution, G.S.D Group and G.S.D are registered trademarks of Global Surveillance Distribution Group, Inc. in Canada and / or other countries. We reserve the right to change the design and specifications of the product Without notice and without incurring any obligation.