

TOTAL VIEW NETWORK CAMERA



Discover our cutting-edge TEBFDATVIP5MP28-AI network camera, which immerses you in the world of advanced security. Designed to provide unparalleled clarity and precision in surveillance, this state-of-the-art technology ensures flawless images even in low-light conditions, thanks to its powerful 30M IR capability. Its major asset lies in its Total View technology, which offers vibrant, color visuals during the night, redefining nocturnal surveillance. Equipped with a microphone, this camera not only captures images but also sound, enhancing your surveillance capabilities. Moreover, its advanced AI features enable it to analyze and detect anomalies, thus providing proactive security measures.



This camera model is also available in black -TEBFDATVIP5MP28-AI-B

TEBFDATVIP5MP28-AI



5MP RESOLUTION



2.8MM LENS



IR UP TO 30M



BUILT-IN MICROPHONE



TRUE WDR



SEE COLOR AT NIGHT



WATERPROOF AND DUST-TIGHT



MICRO SD CARD SLOT UP TO 256GB



VIDEO	
IMAGING DEVICE	1/2.7"
EFFECTIVE PIXELS	5MP 2880 (H) x 1620 (V)
SCANNING SYSTEM	Progressive CMOS
MIN. ILLUMINATION	Color 0.002lux @ F1.0(AGC ON) ; B/W 0 lux @ IR ON

LENS	
FOCAL LENGTH (ZOOM RATIO)	2.8 mm
MAX. APERTURE RATIO	F No. 1.0
ANGULAR FIELD OF VIEW	Horizontal : 110°, Vertical : 57.8°, Diagonal : 131.6°
MIN. OBJECT DISTANCE	2m
LENS TYPE	Fixed (M12)

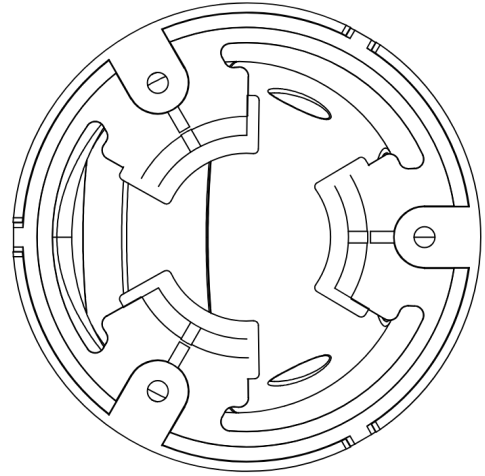
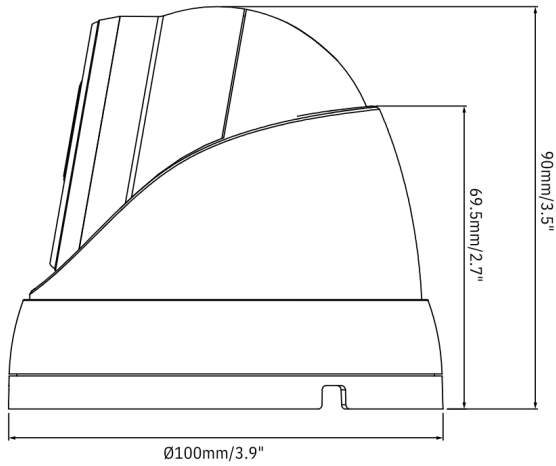
OPERATIONAL	
IR LED	2
WARMLIGHT	2
IR VIEWABLE LENGTH	Up to 30 m
WARMLIGHT VIEWABLE LENGTH	Up to 25 m
BLACKLIGHT COMPENSATION	Off/On (5 zones)
TYPE OF COMPLEMENTARY LIGHT	Default warm light, switchable infrared light
WIDE DYNAMIC RANGE	WDR
DIGITAL NOISE REDUCTION	3D DNR
MOTION DETECTION	Off/On (8 Levels)
IMAGE SETTING	Full Color Mode/Day&Night Mode/Smart Illumination
PRIVACY MASKING	Off/On (4 Zones, Rectangle)
GAIN CONTROL	Auto
WHITE BALANCE	Auto/Manual/Indoor
ELECTRONIC SHUTTER SPEED	1/5 ~ 1/20000s
ON-BOARD STORAGE	Micro SD slot, up to 256 GB
ALARM	N/A
AUDIO	Built-in microphone
HARDWARE RESET	YES

SMART FEATURES	Rare Sound Detection (SD) , Perimeter Intrusion Detection (PID), Face Detection (FD), Stationary Object Detection (SOD), Crowd Density Detection (CD), Human&Vehicle Detection (PD&VD), Line Crossing Detection (LCD), Queue Length Detection (QD), Heat Map (HM), Cross Counting (CC), License Plate Detection (LPD)
----------------	---

NETWORK	
ETHERNET	RJ45(10/100BASE-T)
VIDEO COMPRESSION FORMAT	H.265/H.264
RESOLUTION	<p>Mainstream @30fps 5MP(2880x1620), 4MP(2560x1440) 3MP(2304x1296), 1080P(1920x1080), 720P(1280x720)</p> <p>Substream @30fps 720P(1280x720), VGA(640x480), QVGA(320x240)</p> <p>Mobile Stream @30fps VGA (640x480), QVGA (320x240)</p>
VIDEO QUALITY ADJUSTMENT	256Kbps ~ 8Mbps
BITRATE CONTROL METHOD	CBR/VBR
IP	IPv6
PROTOCOL	TCP/IP,HTTP,DHCP,DNS,DDNS,RTP/RTSP,SMTP,NTP,UPnP,SNMP,HTTPS,FTP
STREAMING METHOD	Unicast/Multicast
SECURITY	IP address filter:complicated password: Authenticated username and password
APPLICATION PROGRAMMING INTERFACE	ONVIF(Profil S/G/T)
COMPATIBLE WEB BROWSERS	IE10/11, Safari V12.1/above, Firefox V.52/above, Google chrome V.57/above, Edge V.79/above

GENERAL	
OPERATING CONDITIONS	-35°+60°C/ Less than ≤ 95% RH
INGRESS PROTECTION	IP67
INPUT VOLTAGE / CURRENT	D12V/POE (IEEE802.3af)
POWER CONSUMPTION	DC12V: max 4.3W; POE (48V): max 5.2W
COLOR/MATERIAL	White/Metal
DIMENSION (LXHP)	100*100*90mm
WEIGHT	415g

DIMENSIONS



ACCESSORIES



TEBBASE1
JUNCTION BOX

OR



WMB2
WALLMOUNT BRACKET



TEBBASE1-G
PENDANT

+



WMB6
WALLMOUNT BRACKET

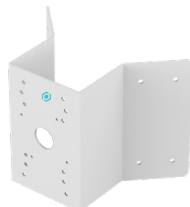
OR



CMB6
CEILING MOUNT BRACKET



PMB6
POLE MOUNT BRACKET



COMB6
CORNER MOUNT BRACKET



CMB6-EXT-120
EXTENDABLE CEILING MOUNT BRACKET



EXT-4POE
4 PORTS POE EXTENDER



IPCOAX-300M
IP OVER COAX EXTENDER