

# DOME HD ANALOG CAMERA

Introducing the state-of-the-art D6Z2812A10-5MP analog security camera, your ultimate surveillance powerhouse. Featuring a high-resolution 5MP sensor and a motorized 2.8-12mm lens, this camera provides unmatched clarity and adaptability for comprehensive security coverage. With an impressive infrared range of up to 35 meters, it ensures reliable surveillance day and night, even in challenging lighting conditions. Additionally, its IK10 protection makes it highly durable against vandalism and tampering, guaranteeing the safety of your property with peace of mind.



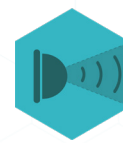
## D6Z2812A10-5MP



5MP RESOLUTION



2.8-12MM  
MOTORIZED LENS



IR UP TO 35M



IP67  
WATERPROOF  
AND DUST-TIGHT



IK10  
IMPACT RESISTANT



TVI-CVI-AHD-960H

## VIDEO

IMAGING DEVICE	1/2.7" Progressive CMOS
TOTAL PIXELS	2608 (H) × 1960 (V)
EFFECTIVE PIXELS	2608 (H) × 1960 (V)
SCANNING SYSTEM	progressive scanning
MIN. ILLUMINATION	Color 0.04lux @ F1.6(AGC ON) ; B/W 0 lux @ IR ON
VIDEO OUTPUT	BNC
RESOLUTION	5MP 2592 (H) × 1944 (V)
MAX. FRAMERATE	5AHD/5TVI: 5MP@20fps 4AHD/4CVI/4TVI:P@25fps N@30fps 2AHD/2CVI/2TVI:P@25fps N@30fps CVBS: 960H
FOCAL LENGTH (ZOOM RATIO)	Motorized lens 2.8-12mm
MAX. APERTURE RATIO	F1.8-3.3
ANGULAR FIELD OF VIEW	H:106.6°-34.6°/V:54.4°-19.5°/D:132.9°-39.8°
MIN. OBJECT DISTANCE	1.2m (W/T)
LENS TYPE	Motorized lens

## LAWS AND REGULATIONS

SAFETY	CE LVD
EMC	CE EMC, FCC
ROHS	RoHS2.0

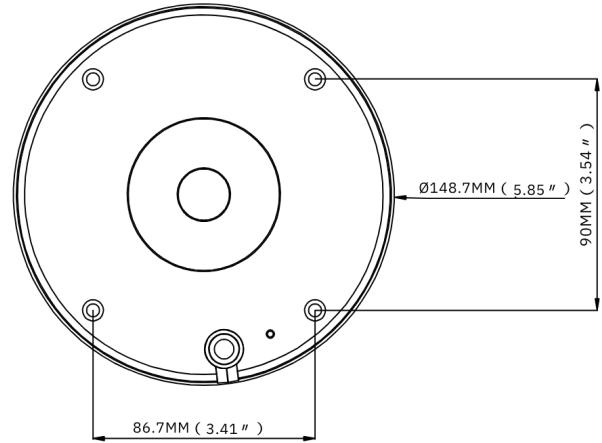
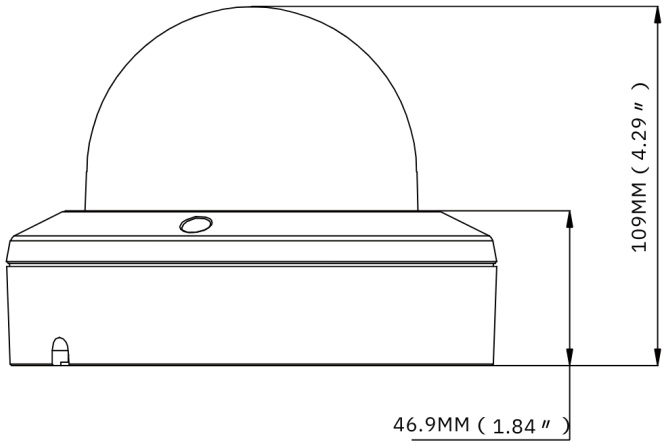
## OPERATIONAL

IR DISTANCE	35m
ON SCREEN DISPLAY	English
DAY & NIGHT	Ext / Color / B/W
BACKLIGHT COMPENSATION	Off / User BLC
WIDE DYNAMIC RANGE	DWDR (Off/On)
DIGITAL NOISE REDUCTION	2D DNR
GAIN CONTROL	Auto
WHITE BALANCE	ATW
ELECTRONIC SHUTTER SPEED	Auto
REVERSE	Mirror
REMOTE CONTROL INTERFACE	ACP (AHD Coax Protocol)
VIDEO TRANSMISSION DISTANCE	MAX 300M (RG-6)

## GENERAL

OPERATING TEMPERATURE / HUMIDITY	-30°C ~ 55°C / 90%
INGRESS PROTECTION	IP66
INPUT VOLTAGE / CURRENT	12V DC
POWER CONSUMPTION	IR OFF ≤1W, IR ON ≤4W
DIMENSIONS	Ø148.7x109mm
WEIGHT	appr 930g

## DIMENSIONS



## ACCESSORIES



**WMB5**  
WALLMOUNT BRACKET



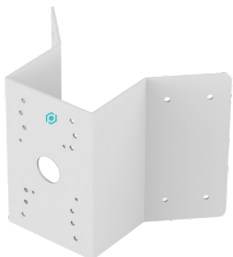
**EB3BASE3-G**  
PENDANT



**EB3BASE3**  
JUNCTION BOX



**WMB6**  
WALLMOUNT BRACKET



**COMB6**  
CORNER MOUNT BRACKET



**PMB6**  
POLE MOUNT BRACKET



**CMB6**  
SUPPORT DE MONTAGE AU PLAFOND



**BALUNHD**  
BALUN

2024 Global Surveillance Distribution, G.S.D Group and G.S.D are registered trademarks of Global Surveillance Distribution Group, Inc. in Canada and / or other countries. We reserve the right to change the design and specifications of the product Without notice and without incurring any obligation.