

# DOME HD ANALOG CAMERA

Introducing the cutting-edge D2F28A10-5MP analog security camera, your ultimate surveillance companion. Boasting a high-resolution 5MP sensor and a precision 2.8mm lens, this camera ensures unparalleled clarity and coverage. With infrared capabilities extending up to 20 meters, it guarantees round-the-clock vigilance, even in low-light conditions. Additionally, its IK10 protection makes it highly durable against vandalism and tampering. Trust in the reliability and advanced features of this dome camera to safeguard your property effectively.



## D2F28A10-5MP



5MP RESOLUTION



2.8MM WIDE LENS



IR UP TO 20M



WATERPROOF  
AND DUST-TIGHT



IMPACT RESISTANT



TVI-CVI-AHD-960H

## VIDEO

IMAGING DEVICE	1/2.7" Progressive CMOS
TOTAL PIXELS	2608 (H) × 1960 (V)
EFFECTIVE PIXELS	2608 (H) × 1960 (V)
SCANNING SYSTEM	progressive scanning
MIN. ILLUMINATION	Color 0.04lux @ F1.6(AGC ON) ; B/W 0 lux @ IR ON
VIDEO OUTPUT	BNC
RESOLUTION	5MP 2592 (H) × 1944 (V)
MAX. FRAMERATE	5AHD/5TVI: 5MP@20fps 4AHD/4CVI/4TVI: P@25fps N@30fps CVBS: 960H
FOCAL LENGTH (ZOOM RATIO)	2.8MM
MAX. APERTURE RATIO	F1.6
ANGULAR FIELD OF VIEW	H:111.4° / V:58.8° / D:134°
MIN. OBJECT DISTANCE	1.8m
LENS TYPE	Fixed lens

## LAWS AND REGULATIONS

SAFETY	CE LVD
EMC	CE EMC, FCC
ROHS	RoHS2.0

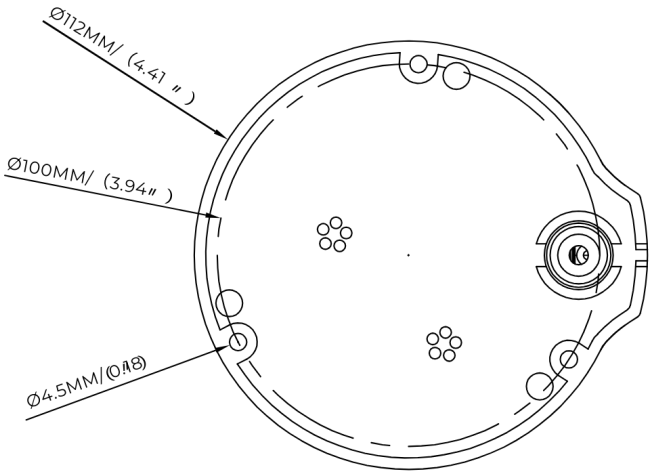
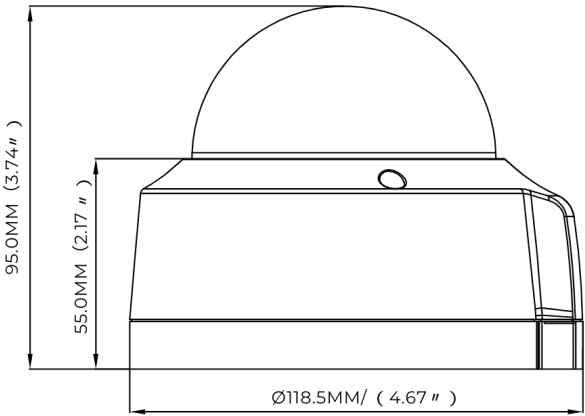
## OPERATIONAL

AUDIO	N/A
AUDIO RANGE	N/A
IR DISTANCE	20M
ON SCREEN DISPLAY	English
DAY & NIGHT	Ext / Color / B/W
BACKLIGHT COMPENSATION	Off / User BLC
WIDE DYNAMIC RANGE	N/A
DIGITAL NOISE REDUCTION	2D DNR
GAIN CONTROL	Auto
WHITE BALANCE	ATW
ELECTRONIC SHUTTER SPEED	Auto
REVERSE	Mirror
REMOTE CONTROL INTERFACE	ACP (AHD Coax Protocol)
VIDEO TRANSMISSION DISTANCE	MAX 300M (RG-6)

## GENERAL

OPERATING TEMPERATURE / HUMIDITY	-30°C ~ 55°C / 90%
INGRESS PROTECTION	IK10+IP66
INPUT VOLTAGE / CURRENT	12V DC
POWER CONSUMPTION	IR OFF ≤1W, IR ON ≤4W
COLOR / MATERIAL	Metal
DIMENSIONS	Ø113.6 X90mm
WEIGHT	appr. 550g

# DIMENSIONS



# ACCESSORIES



**D2BASE1**  
JUNCTION BOX



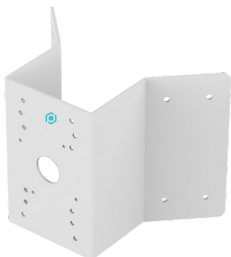
**D2BASE1-G**  
PENDANT



**WMB2**  
WALLMOUNT BRACKET



**WMB6**  
WALLMOUNT BRACKET



**COMB6**  
CORNER MOUNT BRACKET



**PMB6**  
POLE MOUNT BRACKET



**CMB6**  
SUPPORT DE MONTAGE AU PLAFOND

2024 Global Surveillance Distribution, G.S.D Group and G.S.D are registered trademarks of Global Surveillance Distribution Group, Inc. in Canada and / or other countries. We reserve the right to change the design and specifications of the product Without notice and without incurring any obligation.