

X SERIES NETWORK CAMERA



Introducing the XT3ZTV2812IP5MP-AI, an advanced security camera tailored for robust property protection. Boasting a high-definition 5 MP resolution, this camera ensures unparalleled clarity in surveillance, day or night. With an impressive 45-meter infrared range and a motorized lens spanning from 2.8 to 12 mm, it excels in maintaining vigilant monitoring even in challenging low-light conditions. Beyond standard features, it incorporates red and blue deterrent lights for enhanced security, alarm input/output for instant alerts, and a two-way audio function with microphone support. The sleek, compact design seamlessly blends into any environment, making the XT3ZTV2812IP5MP-AI the ideal choice for those seeking advanced security solutions.



XT3ZTV2812IP5MP-AI



5MP RESOLUTION



IR UP TO 45M



2.8-12MM
MOTORIZED LENS



DETERRENCE LIGHTS
AND SIREN



ALARM/AUDIO
IN/OUT



SEE IN COLOR AT NIGHT



WATERPROOF &
DUST-TIGHT



TWO-WAY
COMMUNICATION



MICRO SD CARD
SLOT UP TO 256 GB



VIDEO

IMAGING DEVICE	1/2.7"
EFFECTIVE PIXELS	5MP 2880 (H) x1620 (V)
SCANNING SYSTEM	Progressive CMOS
MIN. ILLUMINATION	Color 0.002lux @ F1.0(AGC ON) ; B/W 0 lux @ IR ON

LENS

FOCAL LENGTH (ZOOM RATIO)	2.8-12mm
MAX. APERTURE RATIO	F No. 1.2
ANGULAR FIELD OF VIEW	H:113(W)-35(T)° V:59(W)-20(T)° D:138(W)-41(T)°
MIN. OBJECT DISTANCE	1.5m
LENS TYPE	Motorized Ø16.7

OPERATIONAL

IR LED	2
WARMLIGHT	2
RED BLUE LIGHT	2 (1Red & 1 Blue)
IR VIEWABLE LENGTH	Up to 45m
WARMLIGHT VIEWABLE LENGTH	Up to 25m
TYPE OF COMPLEMENTARY LIGHT	Default warm light, switchable infrared light
MOTION DETECTION	Off/On (8 Level)
WIDE DYNAMIC RANGE	WDR
DIGITAL NOISE REDUCTION	3D DNR
IMAGE SETTING	Day&Night Mode/Full Color Mode/Schedule
WHITE BALANCE	Auto/Manual
ELECTRONIC SHUTTER SPEED	1/5 ~ 1/20000s
ON-BOARD STORAGE	Micro SD slot, up to 256GB
ALARM	1 input, 1 output
AUDIO	Built-in microphone & Speaker; 1 input (RCA), 1 output (RCA)
CUSTOM VOICE	Yes
HARDWARE RESET	Yes
SMART FEATURE	Rare Sound Detection (SD) , Perimeter Intrusion Detection (PID), Face Detection (FD), Stationary Object Detection (SOD), Crowd Density Detection (CD), Human&Vehicle Detection (PD&VD), Line Crossing Detection (LCD), Queue Length Detection (QD), Heat Map (HM), Cross Counting (CC), License Plate Detection (LPD)

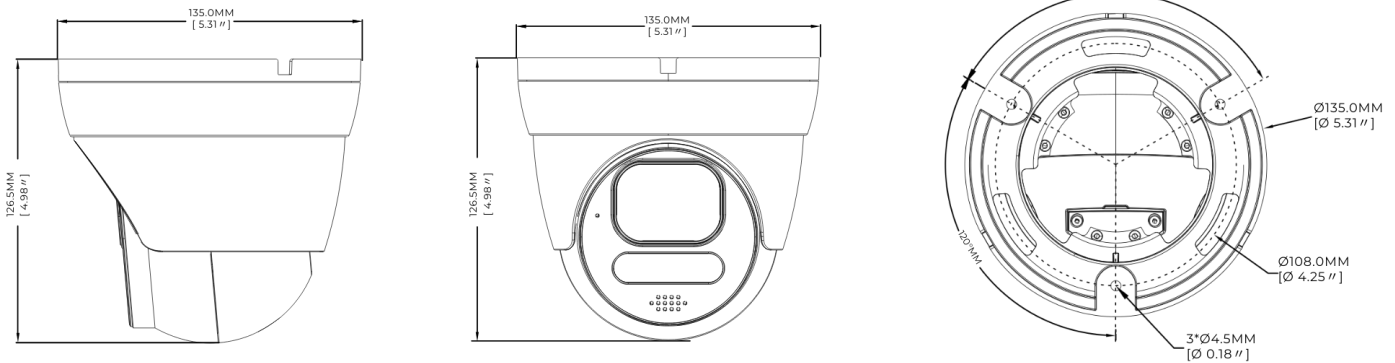
NETWORK

ETHERNET	RJ45(10/100BASE-T)
VIDEO COMPRESSION FORMAT	H.265/H.264
RESOLUTION	<p>Mainstream @30fps 5MP(2880x1620), 4MP(2560x1440) 3MP(2304x1296), 1080P(1920x1080), 720P(1280x720)</p> <p>Substream @30fps 720P(1280x720),VGA(640x480),QVGA(320x240)</p> <p>Mobile Stream @30fps VGA (640x480), QVGA (320x240)</p>
VIDEO QUALITY ADJUSTMENT	256Kbps ~ 8Mbps
BITRATE CONTROL METHOD	CBR/VBR
IP	IPv6
PROTOCOL	TCP/IP,HTTP,DHCP,DNS,DDNS,RTP/RTSP,SMTP,NTP,UPnP,SNMP,HTTPS,FTP
SECURITY	IP address filter:complicated password:Authenticated username and password
APPLICATION PROGRAMMING INTERFACE	ONVIF(Profile S/G/T)
WEB VIEWER	IE10/11, Safari V12.1 above, Firefox V.52 above Google chrome V.57 above, Edge V.79 above

GENERAL

OPERATING CONDITIONS	-35 ~ +60°C/less than ≤ 95% RH
INGRESS PROTECTION	IP67
INPUT VOLTAGE / CURRENT	D12V/POE(IEEE802.3af)
POWER CONSUMPTION	DC12V: max 5.7W; POE (48V): max 7.2W
COLOR/MATERIAL	White/Metal
DIMENSION (WXHXD)	Ø135x126.5mm
WEIGHT	Appr. 846g

DIMENSIONS



ACCESSORIES



EB3BASE3
JUNCTION BOX

OR



WMB5
WALLMOUNT BRACKET



EB3BASE3-G
PENDANT

+



WMB6
WALLMOUNT BRACKET

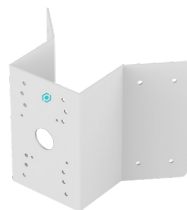
OR



CMB6-G
CEILING MOUNT BRACKET



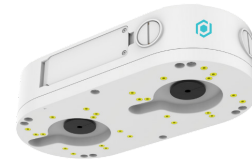
PMB6
POLE MOUNT BRACKET



COMB6
CORNER MOUNT BRACKET



CMB6-EXT-150
EXTENDABLE CEILING MOUNT BRACKET



DBASEX
DOUBLE JUNCTION BOX



IPCOAX-300M
IP OVER COAX EXTENDER